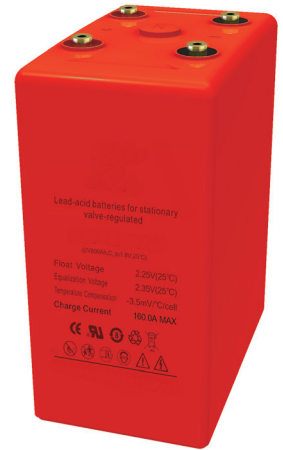


HTB VRLA Battery



HTB2V-800 2V800Ah



HTB VRLA battery uses latest AGM technology designed for high temperature resistant performance with good cycle life and fast charging acceptance ability. Its average temperature can be 35-40 C. HTB's reduced needs for cooling saves energy and reduces cost. It is suitable for high temperature environments both in floating and cycle applications.

Benefits

- Long life according to EUROBAT Classification
- Specifically designed for semi-stable mains
- High discharge performance
- 99%+ gas recombination efficiency
- Maximum charge efficiency
- Low self-discharge rate
- Easy installation and handling

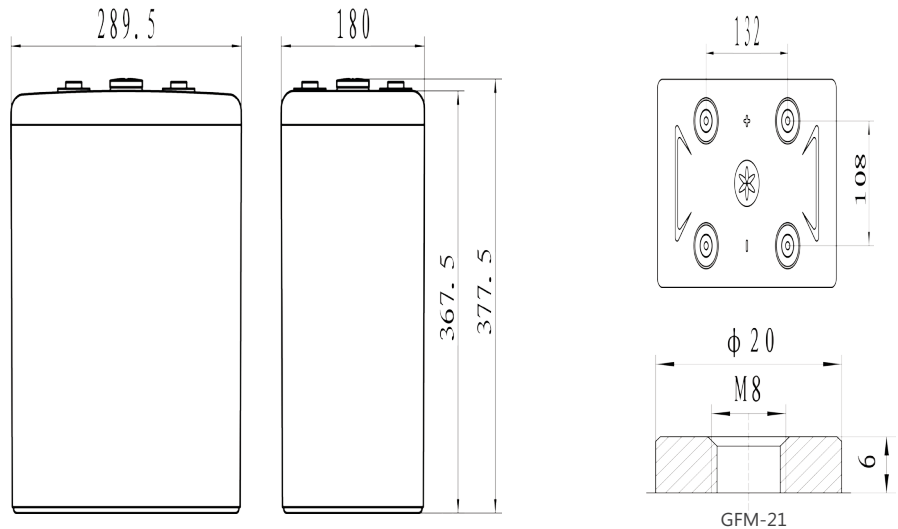
Applications

- High temperature BTS
- Unstable grid BTS
- Remote area BTS
- Solar (Wind) energy storage system

Standards

- JIS C8704-1
- JIS C8704-2
- IEC 60896-21/22
- IEC 61427
- EUROBAT guide

Drawing



Specifications

Battery Model	HTB2V-800			
Design Life (years, 35°C)	10			
Capacity (Ah, 35°C)	10HR (81.2A, 1.80V)	5HR (147A, 1.80V)	3HR (215A, 1.80V)	1HR 454A, 1.75V)
	812	735	645	454
Dimensions (mm)	Length	Width	Height	Total Height
	289.5	180	367.5	377.5
Approx. Weight (kg)	48.9			
Reference Internal Resistance (mΩ)	0.25 (fully charged @ 25°C)			
Maximum Discharge Current (A/5 Sec.)	4200			
Self-Discharge (25°C)	≤1.0 % per month			
Charge Voltage (V/cell, 25°C)	Cycle use		Float use	
	2.35 (-3.5mV/°C/cell), max charge current:200A		2.25 (-3.5mV/°C/cell)	
Short Circuit Current (A)	8000			

Discharge Data

Constant Current Discharge Data (35°C, A)												
End Voltage (V/cell)	min	h										
	30	1	2	3	4	5	6	8	10	24	48	100
1.75	675	471	294	218	183	149	131	104.0	87.3	38.7	20.2	11.0
1.80	648	454	286	215	180	147	130	103.0	81.2	38.4	19.5	10.8
1.85	609	414	279	209	176	144	128	101.0	79.1	37.9	19.3	10.4
1.88	519	349	264	178	157	134	127	91.3	75.1	34.1	17.5	9.6
1.90	454	325	247	170	152	132	126	89.3	73.1	32.5	17.0	9.5

Constant Power Discharge Data (35°C, W/cell)												
End Voltage (V/cell)	min	h										
	30	1	2	3	4	5	6	8	10	24	48	100
1.75	1225	861	568	421	357	292	257	212	176	86.5	40.0	20.6
1.80	1152	834	553	413	349	286	252	209	174	85.5	38.6	20.1
1.85	1077	752	484	373	263	268	246	192	163	69.9	36.1	19.5
1.88	960	685	448	358	249	251	241	189	158	68.2	34.7	19.0
1.90	832	586	412	300	237	235	237	181	151	65.7	33.1	18.3

Performance Curve

